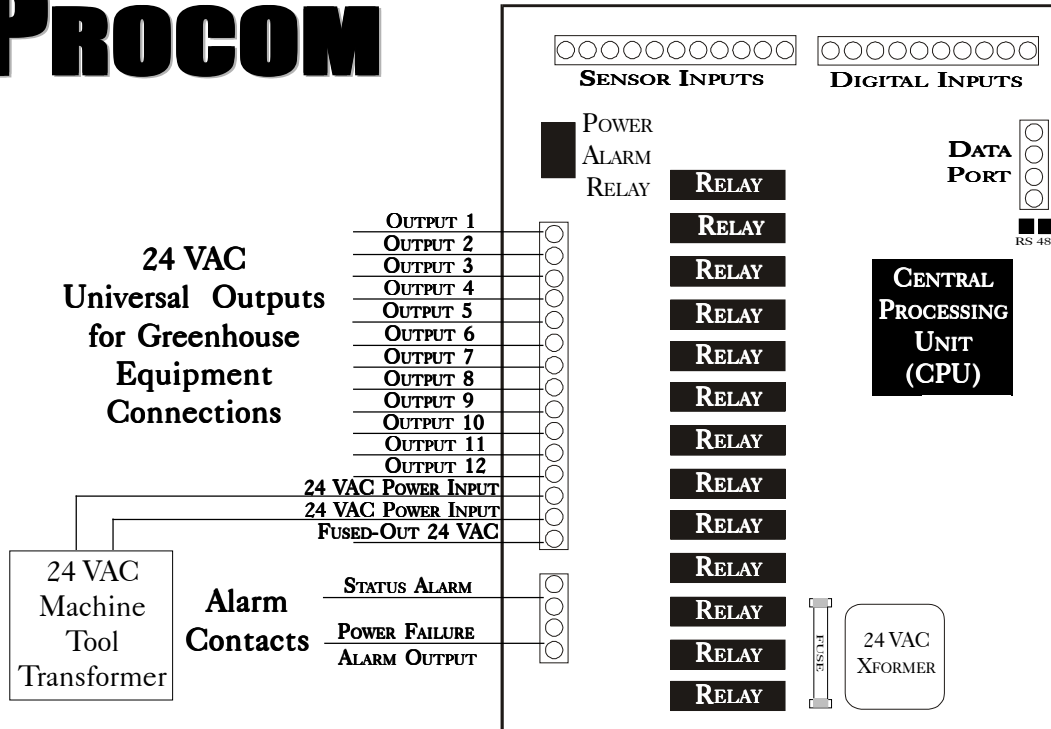


PROCOM



SERIAL DATA PORT FOR OPTIONAL WINDOWS GROWLINK PROGRAM

AVAILABLE SENSORS

- ◆ AIR TEMPERATURE ◆ RAIN
- ◆ SOIL TEMPERATURE ◆ OUTDOOR TEMPERATURE
- ◆ SYSTEM OVERRIDE INPUTS ◆ CO₂ LEVELS
- ◆ RELATIVE HUMIDITY ◆ OUTDOOR HUMIDITY
- ◆ SOLAR K-LUX ◆ SOLAR PYRANOMETER
- ◆ SOLAR QUANTUM (PAR) ◆ WIND SPEED
- ◆ WIND DIRECTION ◆ HOT WATER TEMPERATURE
- ◆ ENERGY KILOWATT HOURS ◆ DIGITAL OVERRIDES

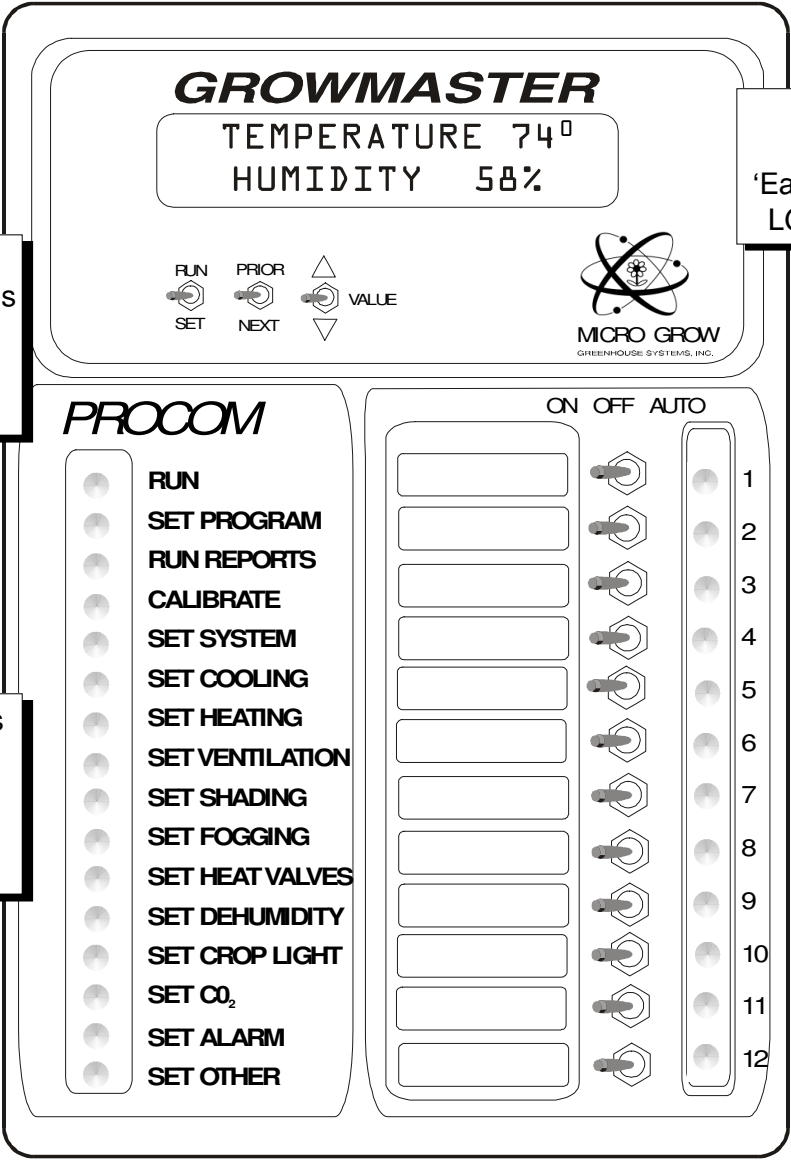
EQUIPMENT CONTROLLED

- ◆ EXHAUST FANS ◆ PAD PUMPS
- ◆ EVAPORATIVE COOLERS ◆ POSITIVE PRESSURE COOLING ◆ MOTORIZED ROOF & SIDE VENTS
- ◆ SHADE & ENERGY CURTAINS ◆ ROLL UP CURTAINS
- ◆ BLACK OUT CURTAINS ◆ FOG SYSTEMS
- ◆ HID CROP LIGHTING ◆ HORIZONTAL AIR FLOW FANS
- ◆ FAN JETS ◆ GAS FIRED HEATERS
- ◆ STEAM HEAT VALVES ◆ HOT WATER BOILER SYSTEMS
- ◆ HOT WATER MIXING VALVES
- ◆ FLOOR HEATING SYSTEMS ◆ SOIL HEATING SYSTEMS
- ◆ RADIANT HEATING ◆ HEATED IRRIGATION WATER
- ◆ ALARM SYSTEM DIALERS ◆ CO₂ BURNERS & INJECTORS ◆ IRRIGATION SYSTEMS

PROCOM SPECIFICATIONS

- ◆ TEMPERATURE ACCURACY - 1° F
- ◆ HUMIDITY ACCURACY - 2% RH
- ◆ SOLAR LEVEL K-LUX - 20%
- ◆ SOLAR PYRANOMETER - 3%
- ◆ SOLAR QUANTUM (PAR) - 3%
 - ◆ CO₂ SENSOR - 2%
 - ◆ TEMPERATURE READOUT CENTIGRADE OR FAHRENHEIT
 - ◆ DIGITAL DISPLAY 16 CHARACTER, 2 LINES ALPHANUMERIC LCD
 - ◆ PROGRAMMING FRONT PANEL TOGGLE SWITCHES
- ◆ TOTAL SENSOR INPUTS - 8
- ◆ TOTAL 24 VAC OUTPUTS - 12 EXPANDABLE TO 24
- ◆ TOTAL DIGITAL INPUTS - 4
- ◆ OUTPUT SWITCHES CENTER OFF, AUTOMATIC, MANUAL
- ◆ LIGHTED STATUS INDICATORS HIGH INTENSITY LED
- ◆ HEATING AND COOLING OUTPUTS COMPLETELY PROGRAMMABLE
- ◆ MAXIMUM VENTILATION STAGES EIGHT STAGES PER SET
- ◆ DEHUMIDIFICATION CYCLES IMMEDIATE & DELAYED
- ◆ FOGGING OUTPUT MAINTAINED OR PULSED
- ◆ MAXIMUM SHADE STAGES EIGHT STAGES PER SET
- ◆ HOT WATER MIXING VALVE OPERATION FLOAT CONTROL
- ◆ CROP LIGHTING OPERATION TIME OF DAY, SOLAR LEVEL, OR BOTH
- ◆ ALARMS HIGH OR LOW SETTING
- ◆ TIME DELAYS, DIFFERENTIALS, & SEPARATIONS USER SELECTABLE
- ◆ AVAILABLE MODES DAY, MIDDAY, EVENING, NIGHT, & DIF CAPABLE
- ◆ ENCLOSURE WEATHERPROOF, CLEAR COVER, LOCKABLE
- ◆ ENCLOSURE SIZE 8.5" W x 10.5" H x 5.5" D
- ◆ VOLTAGE INPUT & OUTPUTS 24 VAC, 50/60 Hz

GROWMASTER PROCOM



Front Panel Toggle Switches For Easy Programming

Large Two Line 'Easy-to-Read' LCD Display

Lighted Status Indicators For All Programmed Functions

Output Toggle Switches For Manual/Off/Automatic Operation

Lighted Status Indicators Showing Outputs In Operation

- ◆ **FEATURE PACKED MULTIPLE ZONE GREENHOUSE ENVIRONMENTAL CONTROL COMPUTER**
- ◆ **FOR USE WITH OR WITHOUT YOUR PERSONAL COMPUTER**
- ◆ **UNIVERSAL LOW VOLTAGE 24 VAC OPERATION**



26111 Ynez Road, C-4 ♦ Temecula, CA 92591 ♦ U.S.A.
♦ 951.296.3340 ♦ Fax 951.296.3350
♦ www.microgrow.com